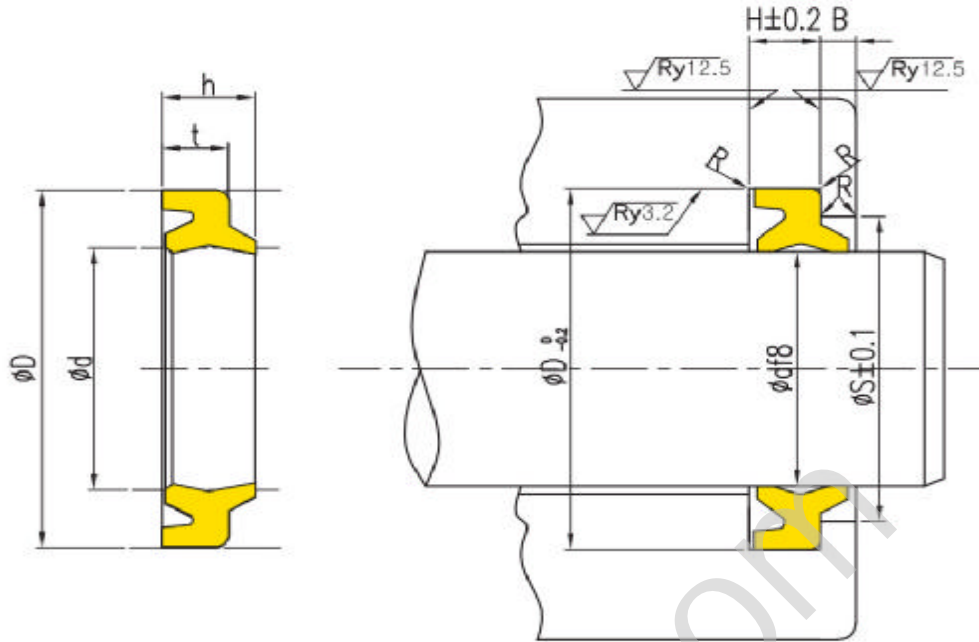


## Phốt Bụi Nhét: KWS



### Chú Thích

Vật liệu	Poly Urethane ( PU )
Áp Xuất	Từ 0 ~ 350 Bar

### R = UNDER 0.3

Nhiệt Độ	Từ -30 ~ 95°C
Tốc Độ	Từ 0.03 ~ 1 (m/s)

Web: [Photben.com](http://Photben.com)

STT	Mã Qui Cách		Ød	ØD	ØS	H	B
	Ød*ØD*t/h						
1	KWS	14*22*4.5/6	14	22	18.3	5	2
2	KWS	16*24*4.5/6	16	24	20.3	5	2
3	KWS	18*26*4.5/6	18	26	22.3	5	2
4	KWS	20*25*4.5/6	20	25	21.3	5	2
5	KWS	20*28*4.5/6	20	28	24.3	5	2
6	KWS	22*30*4.5/6	22	30	26.3	5	2
7	KWS	22.4*30.4*4.5/6	22.4	30	26.7	5	2
8	KWS	25*33*4.5/6	25	33	29.3	5	2
9	KWS	28*36*4.5/6	28	36	32.3	5	2
10	KWS	30*38*5/6.5	30	38	34	6	2
11	KWS	31.5*39.5*5/6.5	31.5	39.5	35.5	6	2
12	KWS	32*40*5/6.5	32	40	36	6	2
13	KWS	35*43*5/6.5	35	43	39	6	2
14	KWS	35.5*43.5*5/6.5	35.5	43.5	39.5	6	2

15	KWS	36*44*5/6.5	36	44	40	6	2
16	KWS	40*48*5/6.5	40	48	44	6	2
17	KWS	40*50*5/6.5	40	50	46	6	2
18	KWS	45*53*5/6.5	45	53	49	6	2
19	KWS	45*55*5/6.5	45	55	51	6	2
20	KWS	48*56*4/6	48	56	52	6	2
21	KWS	50*58*5/6.5	50	58	54	6	2
22	KWS	50*60*5/6.5	50	60	56	6	2
23	KWS	53*61*5/6.5	53	61	57	6	2
24	KWS	55*63*5/6.5	55	63	59	6	2
25	KWS	56*64*5/6.5	56	64	60	6	2
26	KWS	60*68*5/6.5	60	68	64	6	2
27	KWS	63*71*5/6.5	63	71	67	6	2
28	KWS	65*73*5/6.5	65	73	69	6	2
29	KWS	70*80*/6.5	70	80	75	7	3
30	KWS	71*81*6/8	71	81	76	7	3
31	KWS	75*85*6/8	75	85	81	7	3
32	KWS	80*90*6/8	80	90	86	7	3
33	KWS	85*95*6/8	85	95	81	7	3
34	KWS	90*100*6/8	90	100	96	7	3
35	KWS	95*105*6/8	95	105	101	7	3
36	KWS	100*110*6/8	100	110	106	7	3
37	KWS	105*115*6/8	105	115	111	7	3
38	KWS	110*120*6/8	110	120	116	7	3
39	KWS	112*122*6/8	112	122	118	7	3
40	KWS	115*125*6/8	115	125	121	7	3
41	KWS	118*128*6/8	118	128	124	7	3
42	KWS	120*130*6/8	120	130	126	7	3
43	KWS	125*138*7/9.5	125	138	132	8	3
44	KWS	130*143*7/9.5	130	143	137	8	3
45	KWS	135*148*7/9.5	135	148	142	8	3
46	KWS	136*149*7/9.5	136	149	143	8	3
47	KWS	140*153*7/9.5	140	153	147	8	3
48	KWS	145*158*7/9.5	145	158	152	8	3
49	KWS	150*163*7/9.5	150	163	157	8	3
50	KWS	155*168*7/9.5	155	168	162	8	3
51	KWS	160*173*7/9.5	160	173	167	8	3
52	KWS	165*178*7/9.5	165	178	172	8	3
53	KWS	170*183*7/9.5	170	183	177	8	3

54	KWS	175*188*7/9.5	175	188	182	8	3
55	KWS	180*193*7/9.5	180	193	187	8	3
56	KWS	190*203*7/9.5	190	203	197	8	3
57	KWS	200*213*7/9.5	200	213	207	8	3
58	KWS	210*223*7/9.5	210	223	217	8	3
59	KWS	220*233*7/9.5	220	233	227	8	3
60	KWS	230*244*7/9.5	230	244	237	8	3
61	KWS	240*256*9/11.5	240	256	248	10	4
62	KWS	250*263*7/9.5	250	263	257	8	3
63	KWS	250*265*9/11.5	250	265	258	10	4
64	KWS	260*275*9/11.5	260	275	268	10	4
65	KWS	270*285*9/11.5	270	285	278	10	4
66	KWS	280*295*9/11.5	280	295	288	10	4
67	KWS	300*315*9/11.5	300	315	308	10	4

ĐT/Zalo : 0904 289 279

Gmail: [Phuckhangseal@gmail.com](mailto:Phuckhangseal@gmail.com)